



Multi-Function Timers Technical Data

TIME DELAY

Range: Depends on the Time Unit

0.01 - 9.99 seconds

5.EC 1- 999 seconds

SEC 1- 999 minutes

min 1- 999 hours

Repeat Accuracy: +/-0.5% or 20 ms, whichever is greater

Reset Time: 5 ms max. (2 ms typical)

INPUT

Operating Voltage: 120, 240 VAC; 12, 24 VDC $\pm 10\%$

(Unfiltered input voltage to DC Models must be full-wave rectified)

Power Consumption: 3 VA max.

Frequency: 50/60 Hz

OUTPUT

Type: Relay contacts

Form: DPDT (Double Pole Double Throw), 2 form C

Life (Number of Operations):

Mechanical: 1 x 10⁷

Electrical: 1 x 10⁵

PROTECTION

Dielectric Breakdown: 2000 VAC, RMS min. at 60 Hz between input and outputs and 1000VAC between outputs

Polarity: DC units are reverse polarity protected

ENVIRONMENTAL

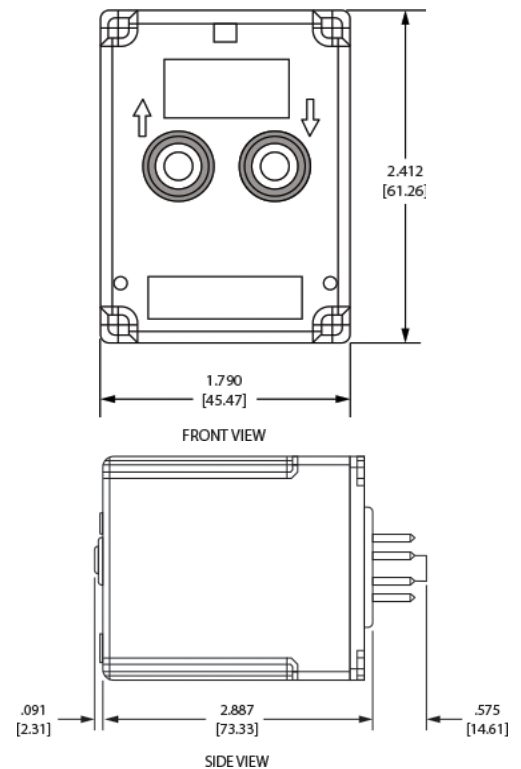
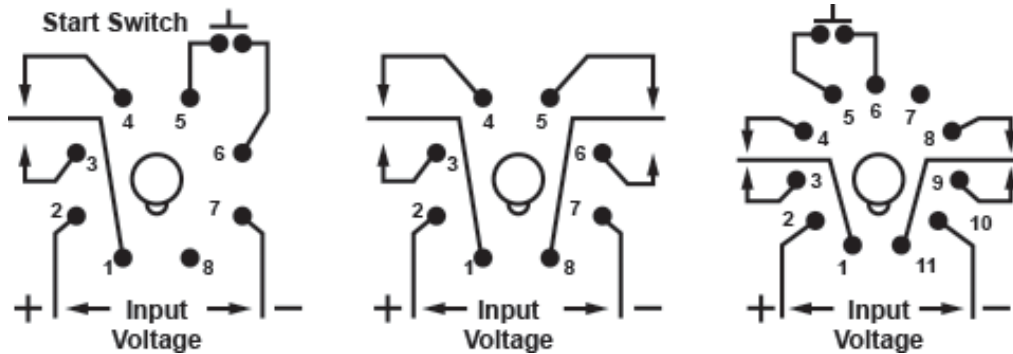
Storage Temperature: -50°C to 150°C

Operating Temperature: -20°C to 60°C

Timer Wiring and Dimensions

Mounting type: Socket mount

Dimensions: 1.790 x 2.887 x 2.412 in.



Timer Sockets



EZ-TMRSKT-8PIN



EZ-TMRSKT-11PIN

Feature	Timer Socket	
Part Number	AVG-TMRSKT-8PIN	AVG-TMRSKT-11PIN